



HIGH DEFINITION PEACE OF MIND

View your world in full 1080p HD video. Stay connected to what matters most from anywhere in the world with FLIR Cloud apps for smartphones, tablets, PC and Mac. Maintain peace of mind while away from your home or business.



4/2 Cameras 4 Channels 1TB HDD

FEATURES:

- High definition 1080p Recording
- Real-time recording at 30/25fps per channel ¹
- 4 built in PoE (Power Over Ethernet) ports providing video and power on a single Ethernet cable ²
- Automatically detects compatible IP cameras in the network ³
- 24/7 security-grade hard drive ⁴
- Continuous, scheduled and motion recording
- Simultaneous playback and live view on the same screen
- Selectable area digital zoom in live view and playback
- Accurate time stamps with NTP & daylight savings time
- H.264 video compression ⁴
- Instant USB backup of live video from selected camera
- 2 video outputs (HDMI & VGA) to connect multiple monitors
- HDMI cable included for simple connection to HD TVs
- Keep up to date with automatic firmware upgrades ⁵
- 3-Step remote view with FLIR Cloud™ ⁶
- PC and Mac compatible ⁷
- Free iOS and Android compatible apps with live viewing, playback, video recording, and snap shot ⁷
- Dedicated iPad app with multi-channel live viewing and playback ⁷
- Push notifications of motion events
- Instant email alerts with snap shot attachment
- Dual streaming to conserve bandwidth





TRUE HIGH DEFINITION 1080p SECURITY CAMERA SYSTEM



VIEW YOUR WORLD IN FULL HD

View your world like never before with smooth FULL HD 1080p video and take advantage of the outstanding night vision.

FEATURES:

- High definition 1080p image sensor delivers superior detail ¹
- Infrared cut filter ensures accurate color representation
- Night vision range up to 130ft (40m) in ambient lighting & 80ft (24m) in total darkness ²
- Anti-glare feature ensures clear images under strong lighting conditions
- 2D DNR Digital Noise Reduction for clear accurate images
- Split glass design minimizes IR reflection
- Weatherproof for outdoor & indoor installation (IP66 Rated) ³
- Wide angle 72° field of view
- Vandal resistant design with cable pass-through bracket
- Heavy-duty durable metal housing
- Simple installation of video and power on a single cable with Power over Ethernet (POE) CAT5e cable
- Versatile ceiling or wall mounting options
- Expand your coverage with camera Ethernet cable up to 300' /91m from the NVR

130/80_{FT}
40/24_M

Night Vision

1080p Resolution

Indoor/outdoor



TRUE HIGH DEFINITION 1080p SECURITY CAMERA SYSTEM



HIGH DEFINITION PEACE OF MIND

Record 3MP HD video for picture quality boasting 50% more detail than 1080p. Keep an eye on your home or business with this weatherproof, cold climate capable camera. Convenient one cable installation provides power to the camera and carries HD video to the recorder.

FEATURES:

- High definition 3MP image sensor delivers 50% more detail than 1080p¹
- Infrared cut filter ensures accurate color representation
- Night vision range up to 130ft (40m) in ambient lighting and 90ft (27m) in total darkness²
- Day/Night mode: picture automatically switches to B&W delivering better clarity in low light conditions
- ClearNight imaging for improved low light performance and improved recording efficiency
- 75° field of view (horizontal)
- Ceiling / wall mountable
- Simple camera installation using a single CAT5e cable with Power over Ethernet (PoE)
- 60ft (18m) UL-compliant cable suitable for surface and in-wall installation
- Extend the camera's video and power with a single Ethernet cable up to 300ft (91m) from the recorder
- Single-screw bracket adjustment for faster installation
- Cold climate capability (-22°F / -30°C)
- Weatherproof for outdoor & indoor installation (IP66 Rated)³

3MP High Definition

75° Field of View

130/90_{FT}
40/27_M

Night Vision

Indoor/outdoor

SYSTEM

Operating System	Linux (embedded)
Pentaplex	Simultaneous View, Record, Playback, Backup & Remote Monitoring
Number of Channels	4 ch
Inputs/Outputs	
Video IN	4/8 ch: PoE Video Input
Video OUT	Yes
VGA OUT	Yes
HDMI	Yes
Audio IN	1 Line IN (RCA) for two-way audio
Audio OUT	1 Line OUT (RCA) for two-way audio
USB Port	1 at the back, 1 at the front
Alarm IN	No
Alarm OUT	No
Video Output Resolution	1920x1080, 1280x1024, 1280x720, 1024x768, 800x600
PTZ control	Lorex IP PTZ cameras only

Display

Display split	4 ch: 1, 4
Live Display Speed	4 ch: 120 NTSC, 100 PAL
OSD	Camera Title, Time, Camera Lock, Motion Detection, Recording Status
System Navigation	USB Mouse
Motion Area Setting	Adjustable grid (22x18)
Sensitivity levels	100
Firmware Upgrade	Automatic over the Internet & via USB device and Network
User Authority	By user group
Time Synchronization	Auto time sync by NTP server

RECORDING

Video Compression	H.264
Resolution	1080P (1920x1080) / 720P (1280x720)
Record Rate	120/100FPS @ 1080P / 240/200FPS @ 720P
Recording Resolution Setting	Per camera for different resolutions
Recording Quality Control	6 levels
Recording Schedule channel	By hour, by day, by recording mode, by motion, by channel
Pre Recording	Max. 30 Secs
Post Recording	Max. 5 Minutes
Reliability	Watch-Dog, Auto-recovery after power failure
Covert Video	Yes

PLAYBACK

Playback Channel	4 ch: 1/4
Playback Speed	Variable Max 16x
Playback Players	Backup Player
Search	By time & event
Log Search	Up to 1,000 lines for motion detected, configuration changes, connects/disconnects and video loss
Audio Play	Yes (audio camera required)

STORAGE & ARCHIVE

Storage	4 ch: Up to 1 HDD's (SATA)
Maximum Capacity	4 ch: up to 1 x 4TB
Backup Media	USB Flash Drive & HDD
Backup File Format	DAV or ASF file

CONNECTIVITY

Cloud Connection	Flir Cloud™
Supported Operating Systems	Windows™ Mac OS X
Remote Software	Client Software (PC/Mac)
Email notification	Text with snapshot
Instant Smart Phone	iPad®, iPhone®, Android™ & Tablet Support †
DDNS	Free Lorex DDNS
System Configuration	Full setup configuration over network
Ports	Programmable by User
Network Protocol	HTTP, IPv4/IPv6, TCP/IP, UPNP, RTSP, UDP, SMTP, NTP, DHCP, DNS, PPPOE, DDNS, FTP, IP Filter
Network Interface	10/100Base-TX, RJ-45
Network Bit Rate	80Mbps total, 48~8192kbps per camera

GENERAL

Power Consumption	Approx. 12 watts (no HDD included)
Supply Voltage	4 ch: 100VAC-240VAC, 48V DC, 1.5A, 50/60Hz
Unit Dimensions (W x D x H)	4 ch: 205mm x 205mm x 45mm / 8.1 x 8.1" x 1.8"
Unit Weight (KGs)	0.5 kg/1.1 Lbs
Operating temperature	14° ~ 131° F / -10° ~ 55° C
Humidity	10 ~ 90% NC

RECORDING RESOLUTION (PIXELS) & SPEED (FPS - FRAMES PER SECOND) NTSC/PAL

		720p	1080p
		1280 x 720	1920 x 1080
4ch	Total	120/100	120/100
	Per channel	30/25	30/25

LNB3143RB/ LNB3143RBP

Image Sensor	1/3" CMOS Sensor
Effective Pixels	H: 2048 x V: 1536
Resolution	1080P @ 30FPS (FPS)
Scan System	Progressive
Sync System	Internal
Iris	EIS
AES Shutter Speed	1/4 ~ 1/10,000 sec.
Min. Illumination	0.1 Lux without IR LED 0 Lux with IR LED
Lens / Lens Type	3.6mm F1.6 / Fixed
Digital Noise Reduction	2D-DNR
Wide Dynamic range	Digital WDR
FOV (Diagonal)	72°
Termination	RJ45 10M/100M Ethernet
IR LED Qty. / Type	32 pieces / 850nm
Night Vision Range	130ft (40m) / 80ft (24m)
Power Requirement	PoE (Power over Ethernet) Class 3 / 12V DC
Power Consumption	250mA / 3W
Operating Temp. Range	-4° ~ 140°F / -20° ~ 60°C
Operating Humidity Range	<95% RH
Environmental Rating	IP66 (indoor/outdoor)
Weight (including stand)	0.9lbs / 0.4kg

LNB3163B

Image Sensor	1/3" 3MP
Video Format	NTSC / PAL
Effective Pixels	H: 2304 x V: 1536
Resolution	3MP (2048x1536) @ 25fps
Scan System	Progressive
Sync System	Internal
S/N Ratio	≥56dB (AGC OFF)
Iris	EIS
AES Shutter Speed	1/3 (1/4) ~ 1/100,000s
Min. Illumination	0.7 lux without IR , 0.4 lux with IR
Video Output	IP
Lens / Lens Type	2.8mm F2.0 / Fixed
Field of View (Horizontal)	75°
Termination	RJ45 Ethernet / 12V DC Power Barrel (optional)
IR LED Type	850nm
Night Vision Range	130ft (40m) / 90ft (27m)
Power Requirement	PoE (Power over Ethernet) Class 3 / 12V DC
Power Consumption	Max. 285mA / 3.4W
Operating Temp. Range	-22° ~ 140°F / -30° ~ 60°C
Operating Humidity Range	<95% RH
Environmental Rating	IP66 (Indoor / Outdoor)
Weight	0.9lbs / 0.4kg

NVR Inputs & Outputs



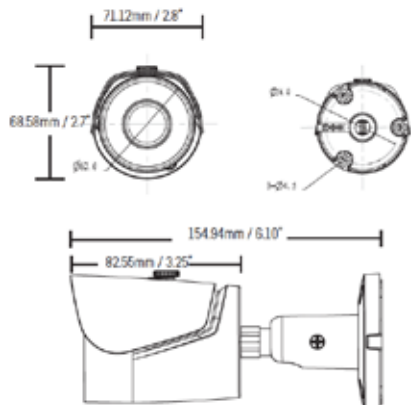
Dimensions:



LNB3143RB/ LNB3143RBP



LNB3163B



Product Information:

MODEL	CONFIGURATION	PACKAGE	W x D x H Inches & mm	WEIGHT	CUBE	UPC Code
LNR1141TC4	4 ch NVR with 1TB HDD x 4 LNB3143RB Cameras	Retail Package	16" x 12.6" x 13.2" 406mm x 320mm x 335mm	8.4kg/18.6lbs	0.03cbm / 1.28cbf	6-95529-00496-9
LNR1141TC4P	4 ch NVR with 1TB HDD x 4 LNB3143RBP Cameras	Retail Package	16" x 12.6" x 13.2" 406mm x 320mm x 335mm	8.4kg/18.7lbs	0.03cbm / 1.28cbf	6-95529-00524-9
LNR1141TC23B	4 ch NVR with 1TB HDD x 2 LNB3163B Cameras	Brown Box	13" x 17" x 14" 330mm x 431mm x 355mm	4.9kg/11lbs	0.05cbm / 1.79cbf	6-95529-00626-0
LNR110/ LNR110P SERIES NVRs Include:	NVR with Pre-Installed HDD, HDMI Cable, Power adapter, Mouse, Ethernet Cable, Quick Start Guides.					
LNB3143RB/ LNB3143RBP (single pack) Includes:	1x IP Bullet Camera, 1x Mounting Kit, 1x 60ft (18m) Cat5e Ethernet Cable - in a brown box.					
LNB3163B (single pack) Includes	1x 3MP HD IP Bullet Camera, 1x 60ft (18m) UL-Compliant CAT5e Ethernet Cable, 1x Mounting Kit - in a brown box.					

NVR Disclaimers:

1. Real time recording on 4 Channels at 1080p (1920x1080), 720p (1280x720).
2. Includes 4 built in Power over Ethernet (PoE) ports for video data transmission and power.
3. Compatible with Lorex 1080p wired PoE HD IP cameras only. For a list of compatible cameras, please visit lorextechnology.com/support.
4. Recording time may vary based on recording resolution & quality, lighting conditions and movement in the scene.
5. The NVR firmware and software must be upgraded to the latest version to use the FLIR Cloud™ service. When the system is connected to the Internet, it will automatically alert you if there is a firmware upgrade available.
6. Requires a high speed internet connection and a router (not included). A minimum upload speed of 1Mbps is required for the best video performance. Up to 3 devices may connect to the system at the same time.
7. For the latest list of supported apps and devices, please visit www.lorextechnology.com/support

All trademarks belong to their respective owners. No claim is made to the exclusive right to use the trademarks listed, other than the trademarks owned by Lorex Technology Inc. We reserve the right to change models, configurations or specifications without notice or liability. Product may not be exactly as shown. Images are simulated.

Camera Disclaimers:

1. Compatible with Lorex HD NVR LNR100 / LNR200 / LNR300 series only.
2. Stated IR illumination range is based on ideal conditions in typical outdoor night time ambient lighting and total darkness. Actual range and image clarity depends on installation location, viewing area, and light reflection / absorption level of object.
3. Not intended for submersion in water. Installation in a sheltered location recommended.
4. This camera features an ultra-low light sensitive image sensor and therefore does not feature Infra-Red LEDs. The camera requires ambient lighting (for example, street/building lighting, star or moon light) to render a night time image. In total darkness (zero Lux) the camera will not produce a night time image and therefore the camera should not be installed in areas with complete darkness.