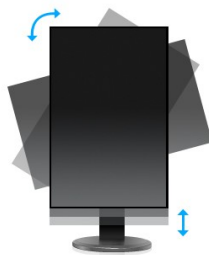




The 19" ProLite B1980SD designed for business usage is a LED-backlit monitor with Height Adjustability and Screen Rotation allowing you to set the perfect position of the screen ensuring ergonomic posture and optimal viewing comfort. The 5ms response time and high contrast make the B1980SD ideal for a wide range of business applications. sRGB and gamma correction functions permit even the finest nuances of colour to be set accurately. The ProLite B1980SD includes DVI and VGA connectivity and is available in black and white.



HAS + PIVOT

With a height adjustable stand you will create an ergonomic work posture and position that meets all health and safety requirements. This will not only prevent any health issues but will also increase your productivity. The pivot function allows the screen to rotate from landscape to portrait orientation. This functionality can be useful if the application requires more height than width.



LED-BACKLIT

A typical CCFL LCD uses four backlight lamps. Using LED diodes considerably lowers the power consumption and reduces the CO2 emission into the environment making this LCD a true ECO-Friendly product.

1. DISPLAY CHARACTERISTICS

DIAGONAL

19"; 48cm

ASPECT RATIO	5 : 4
PANEL	TN LED, matte finish
NATIVE RESOLUTION	1280 x 1024 (1.3 megapixel)
BRIGHTNESS	250 cd/m ² typical
CONTRAST	1000 : 1 typical
CONTRAST	12 000 000 : 1 ACR
RESPONSE TIME	5ms
VIEWING ZONE	horizontal/vertical: 170° / 170° ; right/left: 85° / 85° ; up/down: 85° / 85°
DISPLAY COLOUR	16.7 million
DISPLAY AREA H X W	301.05 x 376.32 mm; 11.9" x 14.8"
PIXEL PITCH H X V	0.294 x 0.294 mm
HORIZONTAL SYNC	24 - 80kHz
VERTICAL SYNC	56 - 75Hz
SYNCHRONIZATION	Separate Sync

2. INTERFACES & CONNECTORS

ANALOG INPUT CONNECTOR	VGA
DIGITAL INPUT CONNECTOR	DVI-D
HDCP	yes;

3. FEATURES

APPLE - MAC	All iiyama monitors are compatible with Apple-Macintosh computers.
CONTROLS	Via OSD in 9 languages (EN, DE, FR, ES, IT, PT, RU, JP, Chinese) and 5 front controls (Power, Menu, +/- Volume Button, -/ ECO Button, AUTO)
USER CONTROLS	luminance (contrast, brightness, ECO, picture mode, ACR), image setup (clock, phase, H. position, V. position), colour adjust (gamma, colour temperature, sRGB), OSD setup (H. position, V. position, timeout, language), others (reset, signal select, information), volume, auto adjust
SPEAKERS	2 x 1 W (Stereo)
ANTI-THEFT-DEVICE	Kensington-lock™ prepared
REGULATIONS	CE, TÜV-GS, VCCI-B, CU
HEIGHT ADJUSTMENT	130mm
ROTATION (PIVOT FUNCTION)	90°
SWIVEL STAND	320°; 160° left; 160° right
TILT ANGLE	22° up; 5° down
VESA MOUNTING	100 x 100 mm
COLOUR	Black

4. ACCESSORIES

INCLUDED ACCESSORIES

power cable, DVI-D cable, audio cable, stand, screw, cable holder, quick start guide, safety guide

5. POWER MANAGEMENT

POWER SUPPLY	AC 100 - 240 V, 50 / 60 Hz
POWER SUPPLY UNIT	internal
POWER USAGE	16 W typical; max. 0.5 W in Power management mode
POWER MANAGEMENT	VESA DPMS, ENERGY STAR®

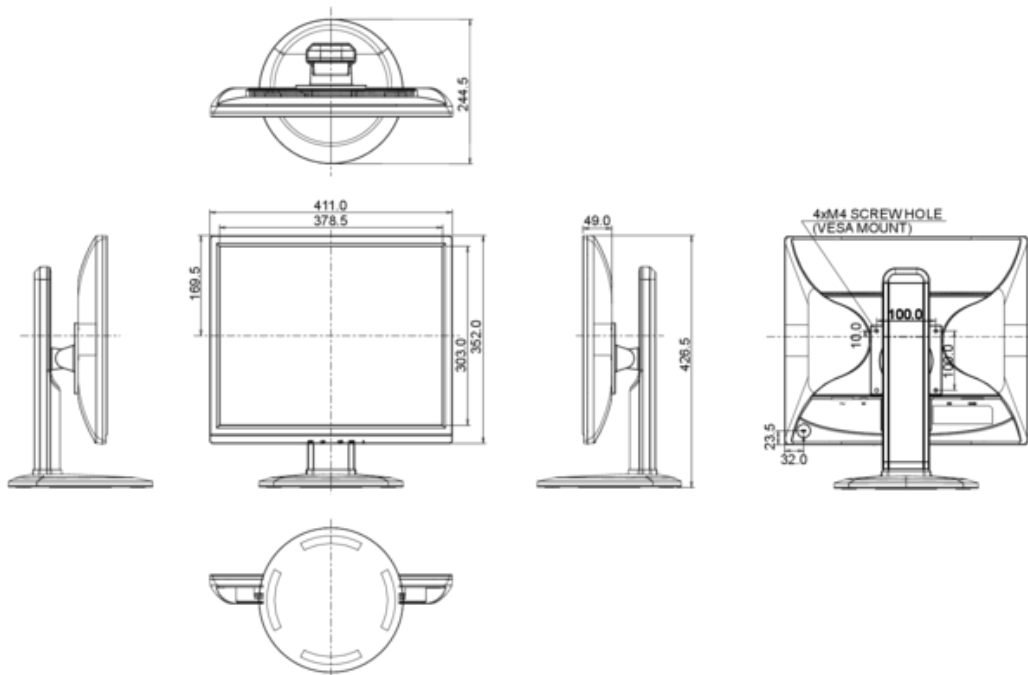
6. EPEAT SILVER

EPEAT

EPEAT is a comprehensive environmental rating that helps identify greener computers and other electronic equipment. The Silver certification means the monitor meets all required criteria plus at least 50% of the optional requirements. EPEAT Silver is valid in countries where iiyama registers the product. Please visit www.epeat.net for the registration status in your country.

7. DIMENSIONS & WEIGHT

DIMENSIONS W X H X D	411 x 426.5 (556.5) x 244.5 mm
WEIGHT	5.1 kg



All trademarks and registered trademarks acknowledged. E & O E. Specification subject to change without notice. All LCD's comply with ISO-9241-307:2008 in connection with pixel defects.