



25" monitor with IPS panel and ultra flat front

ProLite XU2590HS is a 25" LED backlit LCD Screen featuring IPS Panel technology which is considered to be the best all round panel type. It offers accurate and consistent colour reproduction with wide viewing angles (178°/178°) and fast response time (5 ms black-to-black). XU2590HS is full HD, has a >5mIn:1 Advanced Contrast Ratio and 250 cd/m² brightness offering the user a clear and vivid image. The ProLite XU2590HS will provide excellent performance for photographic design, web design, standard office use and in multi-monitor environment. Very suitable for multi-monitor Digital Signage and office applications.



IPS

IPS technology offers higher contrast, darker blacks and much better viewing angles than standard TN technology. The screen will look good no matter what angle you look at it.



BLUE LIGHT REDUCER

As we all know looking at a monitor screen for several hours per day, especially from a closer distance, causes eye fatigue. This effect is much stronger with computer screens than with TV equipment. One of the factors responsible for this phenomenon is the blue light emitted by the screen. Therefore reducing the amount of blue light ultimately allows our eyes to feel less tired while working long hours with a computer screen. We achieved it by adjusting the monitor's brightness and color temperature through a new feature called "Blue light reduction" easily accessible through the monitor's OSD menu.

1. DISPLAY CHARACTERISTICS

DIAGONAL	25"; 63.5cm
ASPECT RATIO	16 : 9
PANEL	AH-IPS LED, matte finish
NATIVE RESOLUTION	Full HD 1080p, 1920 x 1080 (2.1 megapixel)
BRIGHTNESS	250 cd/m ² typical
CONTRAST	1000 : 1 typical
CONTRAST	5 000 000 : 1 ACR
RESPONSE TIME	5ms
VIEWING ZONE	horizontal/vertical: 178° / 178°; right/left: 89° / 89°; up/down: 89° / 89°
DISPLAY COLOUR	16.7 million
BLUE LIGHT REDUCER	yes
DISPLAY AREA H X W	308.64 x 552.96 mm; 12.2" x 21.8"
PIXEL PITCH H X V	0.288 x 0.288 mm
HORIZONTAL SYNC	24 - 83kHz
VERTICAL SYNC	55 - 76Hz
SYNCHRONIZATION	Separate sync

2. INTERFACES & CONNECTORS

ANALOG INPUT CONNECTOR	VGA
DIGITAL INPUT CONNECTOR	DVI-D, HDMI
HDCP	yes;

3. FEATURES

APPLE - MAC	All iiyama monitors are compatible with Apple-Macintosh computers.
PLUG & PLAY	VESA DDC2B™
CONTROLS	Via OSD in 8 languages (EN, DE, FR, PL, NL, Chinese, RU, JP) and 5 front controls (Power, Menu, +/- Volume/Blue Light Reducer, -/ ECO, Auto)
USER CONTROLS	luminance (contrast, brightness, i-style Colour, ACR, ECO), image steep (clock, phase, H. position, V. position, aspect), colour (gamma, colour temp., sRGB), OSD setup (H. position, V. position, OSD time out, language), extra (reset, DDC/CI, input select, OD, HDMI audio, opening logo, information), volume, auto adjust
SPEAKERS	2 x 2 W (Stereo)
ANTI-THEFT-DEVICE	Kensington-lock™ prepared
CERTIFICATES	TCO 6, CE, TÜV-Bauart, VCCI-B, CU
TILT ANGLE	20° up; 4° down
VESA MOUNTING	100 x 100 mm
COLOUR	Black

4. ACCESSORIES

DRIVER	Windows 95 / 98 / 2000 / ME / XP / Vista / 7 / 8
INCLUDED ACCESSORIES	power cable, DVI-D cable, audio cable, cable holder, stand, quick start guide, safety guide

5. POWER MANAGEMENT

POWER SUPPLY	AC100~240V 50/60Hz
POWER SUPPLY UNIT	internal
POWER USAGE	26 W typical; max. 0.5 W in Power management mode
POWER MANAGEMENT	VESA DPMS, ENERGY STAR®

6. EU ENERGY EFFICIENCY LABEL

ENERGY EFFICIENCY CLASS	A
ON MODE POWER CONSUMPTION	25.1W
ANNUAL ENERGY CONSUMPTION	37 kWh/annum*
VISIBLE SCREEN DIAGONAL	64 cm; 25"; (25" segment)

This is information under Regulation (EU) No 1062/2010.

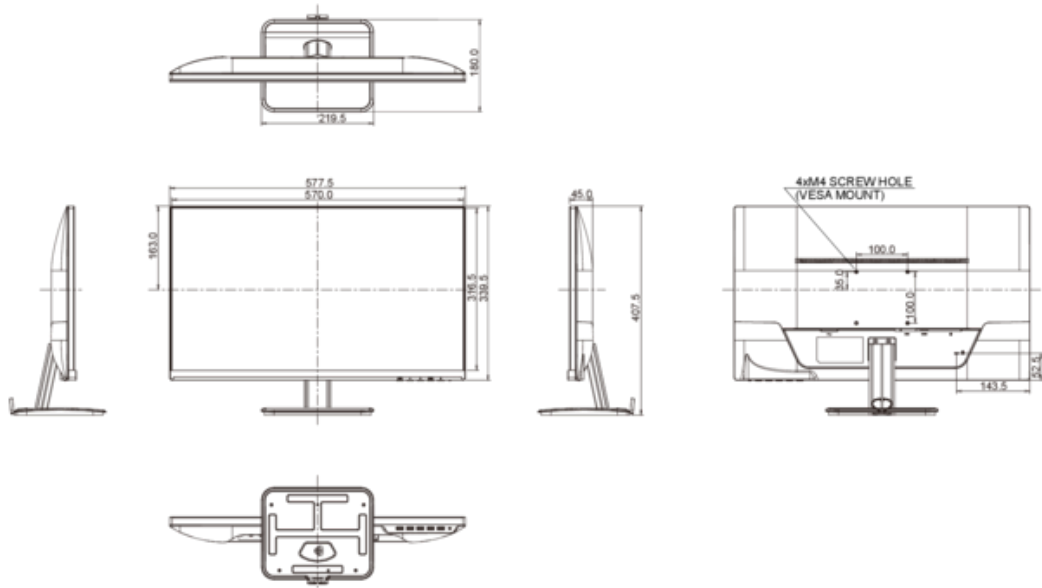
**Based on the power consumption of the television operating 4 hours per day for 365 days. The actual energy consumption will depend on how the television is used.*

7. EPEAT SILVER

EPEAT	EPEAT is a comprehensive environmental rating that helps identify greener computers and other electronic equipment. The Silver certification means the monitor meets all required criteria plus at least 50% of the optional requirements. EPEAT Silver is valid in countries where iiyama registers the product. Please visit www.epeat.net for the registration status in your country.
-------	--

8. DIMENSIONS & WEIGHT

DIMENSIONS W X H X D	577.5 x 407.5 x 180 mm
WEIGHT	4.4 kg



All trademarks and registered trademarks acknowledged. E & O E. Specification subject to change without notice. All LCD's comply with ISO-9241-307:2008 in connection with pixel defects.

© IIYAMA CORPORATION (). ALL RIGHTS RESERVED.