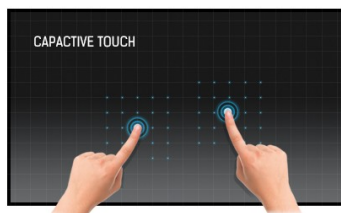




24" 10 point multi-touch monitor with edge-to-edge glass and webcam

With 1920x1080 Full HD resolution and Projective Capacitive 10 point touch technology, the ProLite T2435MSC delivers seamless and accurate touch response. Featuring VA LED-backlit LCD screen technology, it offers exceptional colour performance and wide viewing angles, making it an excellent choice for a vast array of demanding interactive applications. Users can benefit from its hinged stand allowing the monitor to lay down completely flat for use as a giant tablet. The T2435MSC comes equipped with several video inputs and a USB 2.0 HUB as well as integrated stereo speakers delivering good quality sound. An ideal screen for Interactive Digital Signage, InStore Retail, Gaming and Interactive Presentations purposes.



### TOUCH TECHNOLOGY - CAPACITIVE

This technology uses a sensor-grid of micro-fine wires integrated into the glass that covers the screen. Touch is detected because electrical characteristics of the sensor grid change when human finger is placed on the glass. Thanks to the glass overlay this technology is highly durable, and the touch function remains unaffected even if the glass is scratched. It offers perfect picture performance and will work with human finger (also latex gloved) and stylus-pen.



VA panel technology offers higher contrast, darker blacks and much better viewing angles than standard TN technology. The screen will look good no matter what angle you look at it.

## 1. DISPLAY CHARACTERISTICS

DIAGONAL

23.6"; 59.8cm

ASPECT RATIO	16 : 9
PANEL	VA LED
NATIVE RESOLUTION	Full HD 1080p, 1920 x 1080 ( 2.1 megapixel)
BRIGHTNESS	250 cd/m <sup>2</sup> typical
BRIGHTNESS	215 cd/m <sup>2</sup> with touch panel
CONTRAST	3 000 : 1 typical
CONTRAST	12 000 000 : 1 ACR
RESPONSE TIME	6ms
VIEWING ZONE	horizontal/vertical: 178° / 178° ; right/left: 89° / 89° ; up/down: 89° / 89°
DISPLAY COLOUR	16.7 million
TOUCHTECHNOLOGY	projective capacitive, multi touch (10 compatible touch points - HID, only with supported OS), activated by finger
TOUCH POINTS	10
GLASS HARDNESS	7H minimum
LIGHT TRANSMITTANCE	85%
DISPLAY AREA H X W	293.22 x 521.28 mm; 11.5" x 20.5"
PIXEL PITCH H X V	0.272 x 0.272 mm
HORIZONTAL SYNC	30 - 80kHz
VERTICAL SYNC	55 - 75Hz
SYNCHRONIZATION	Separate Sync

## 2. INTERFACES & CONNECTORS

DIGITAL INPUT CONNECTOR	DVI, HDMI, DisplayPort
HEADPHONE CONNECTOR	Yes
USB HUB	UP 1 x USB 2.0 / DOWN 2 x USB 2.0
CONTROLS	USB (touch), USB 2.0

## 3. FEATURES

PLUG & PLAY	VESA DDC2B™
CONTROLS	On-Screen-Display in 9 languages (EN, FR, DE, NL, PL, RU, JP, Chinese - traditional and simplified) and 5 front controls (Menu, Scroll up/ Audio Adjust, Scroll down/ i-Style Colour, Select/ Input select, Power)
USER CONTROLS	picture adjust (contrast, brightness, ACR, ECO mode, overdrive), input select, audio adjust (volume, mute, audio input), colour adjust, information, manual image adjust (sharpness, video mode adjust, blue light reducer, X-res technology), setup menu (language, OSD position, OSD time out, OSD background, opening logo, LED), memory recall
SPEAKERS	2 x 1 W (Stereo)
ANTI-THEFT-DEVICE	Kensington-lock™ prepared
REGULATIONS	CE, TÜV-Bauart, VCCI-B, PSE, CU
TILT ANGLE	15° up; 70° down

VESA MOUNTING	100 x 100 mm
COLOUR	Black
FOCUS	integrated webcam and microphone

## 4. ACCESSORIES

DRIVER	multi-touch: Windows7/8 (HID compliant), single-touch: Vista, Linux
INCLUDED ACCESSORIES	power cable, DVI signal cable, mDP-DP cable, audio cable, USB cable, quick start guide, safety guide

## 5. POWER MANAGEMENT

POWER SUPPLY	AC 100 - 240 V, 50 / 60 Hz
POWER SUPPLY UNIT	internal
POWER USAGE	24.1 W typical; max. 0.5 W in Power management mode
POWER MANAGEMENT	VESA DPMS

## 6. EU ENERGY EFFICIENCY LABEL

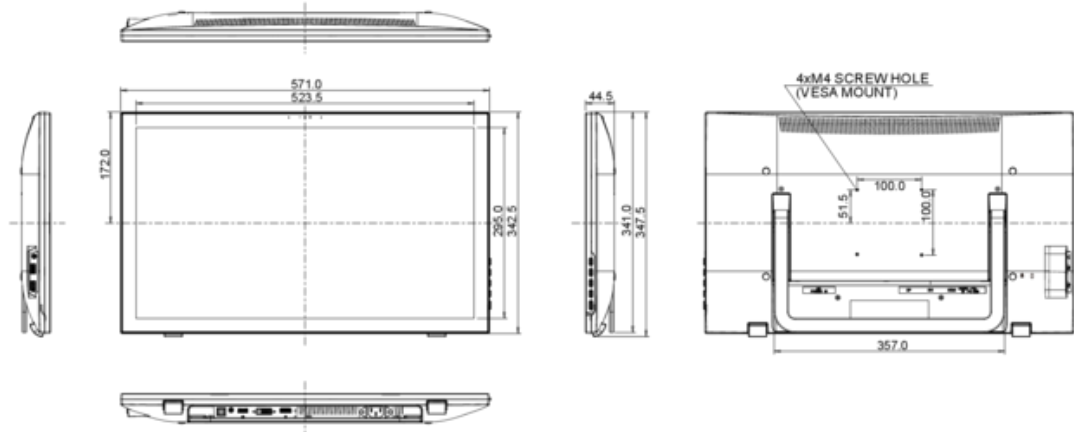
ENERGY EFFICIENCY CLASS	A
ON MODE POWER CONSUMPTION	24.1W
ANNUAL ENERGY CONSUMPTION	35 kWh/annum*
VISIBLE SCREEN DIAGONAL	60 cm; 23.6"; ( 24" segment )

*This is information under Regulation (EU) No 1062/2010.*

*\*Based on the power consumption of the television operating 4 hours per day for 365 days. The actual energy consumption will depend on how the television is used.*

## 7. DIMENSIONS & WEIGHT

DIMENSIONS W X H X D	571 x 347.5 x 44.5 mm
WEIGHT	6.2 kg



All trademarks and registered trademarks acknowledged. E & O E. Specification subject to change without notice. All LCD's comply with ISO-9241-307:2008 in connection with pixel defects.

© IIYAMA CORPORATION ( ). ALL RIGHTS RESERVED.